



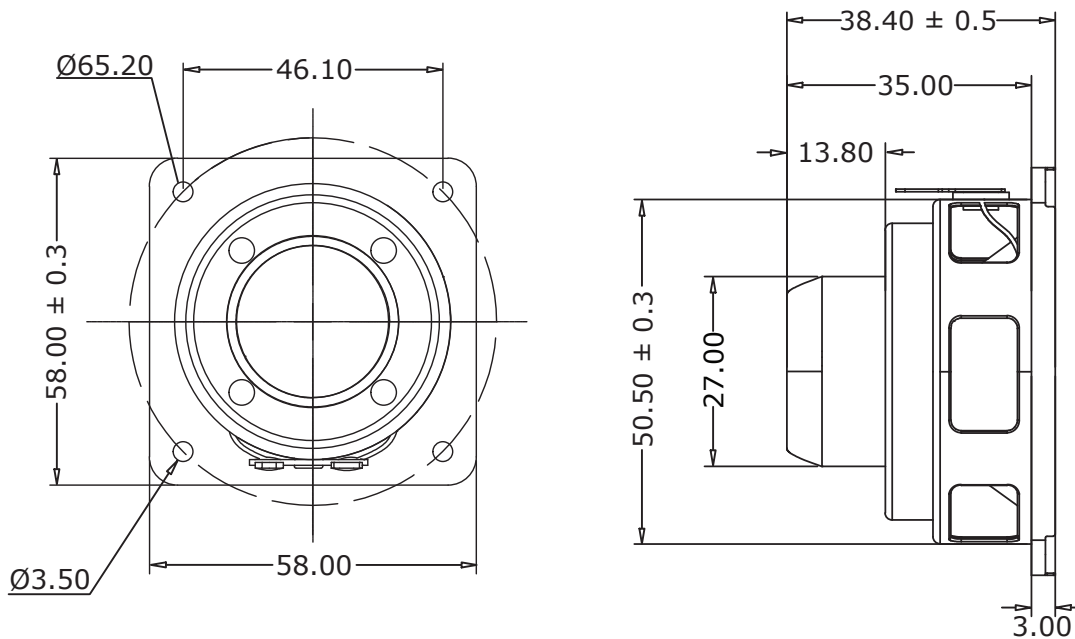
SUFR5015

2" Full Range Speaker Unit

The SUFR5015 is a 2-inch 12-ohm 15Watt full range speaker with powerful Neodymium motor.

Features:

- 2 layer Copper Clad Aluminium Wire (CCAW) voice coil, kapton coil.
- Tinsel leads from voice coil to terminal assembly are constructed by 0.1gram 12strands pure silver wire.
- Aluminium Dust Cap.
- 12-ohm version is optimized for 24V systems, 4-ohm version is available for enquiry.



T-S Parameters:	
Resonance frequency [fs]	196Hz
Mechanical Q factor [Qms]	3.13
Electrical Q factor [Qes]	1.04
Total Q factor [Qts]	0.78
Force factor [Bl]	4.1Tm
Mechanical resistance [Rms]	0.52kg/s
Moving mass [Mms]	1.32g
Compliance [Cms]	49.56mcm/N
Effective diaph. diameter [D]	41mm
Effective piston area [Sd]	13.2cm ²
Equivalent volume [Vas]	0.17L
Sensitivity (2,83V/1m)	83dB

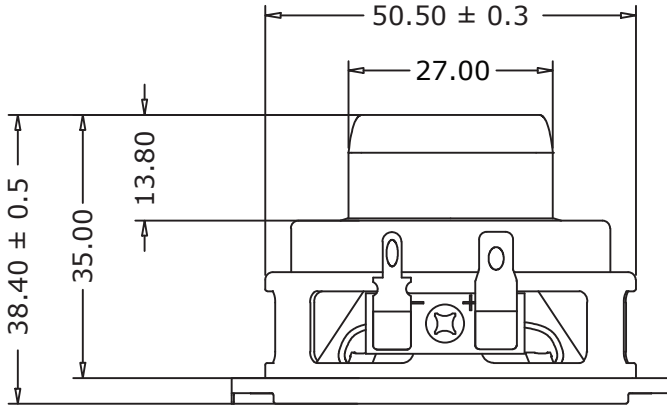
Power Handling:	
Rated power input (IEC 268-5)	15W
Max power input (IEC 268-5)	20W

Electrical Data:	
Normal impedance [Zn]	12Ω at 1kHz
Minimum impedance [Zmin]	11.5Ω
Maximum impedance [Zo]	49.5Ω
DC resistance [Re]	10.95Ω
Voice coil inductance [Le]	0.16mH at 2kHz

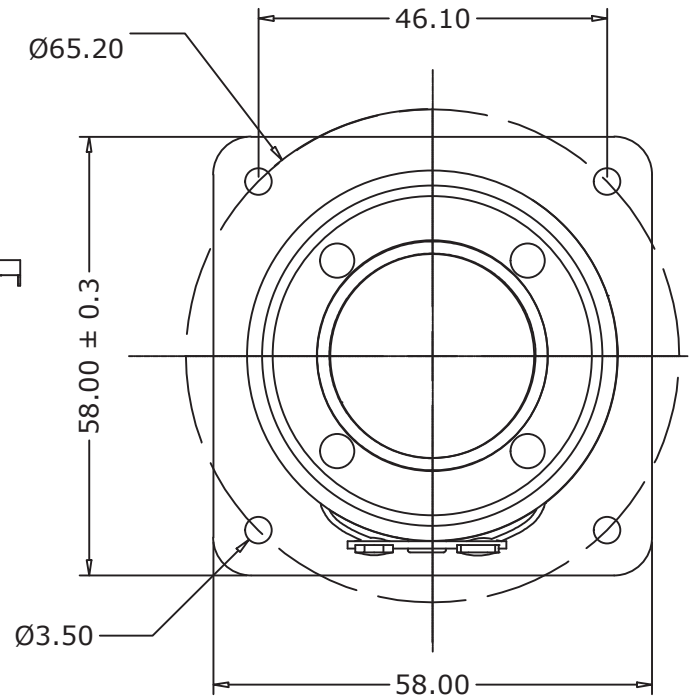
Mechanical Data:	
Voice coil diameter	19.4mm
Voice coil height	6mm
Voice coil layers	2
Gap height	8mm
Linear excursion	± 12.5mm
Max mech. excursion	± 28mm
Unit weight	87.5g
Cabinet displacement volume	0.64L



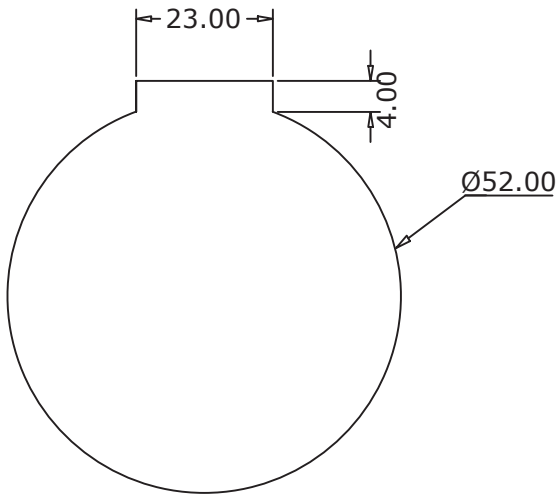
Mechanical Drawing (Nominal Dimensions, mm)



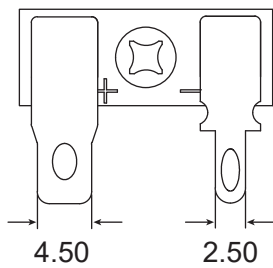
Bottom View



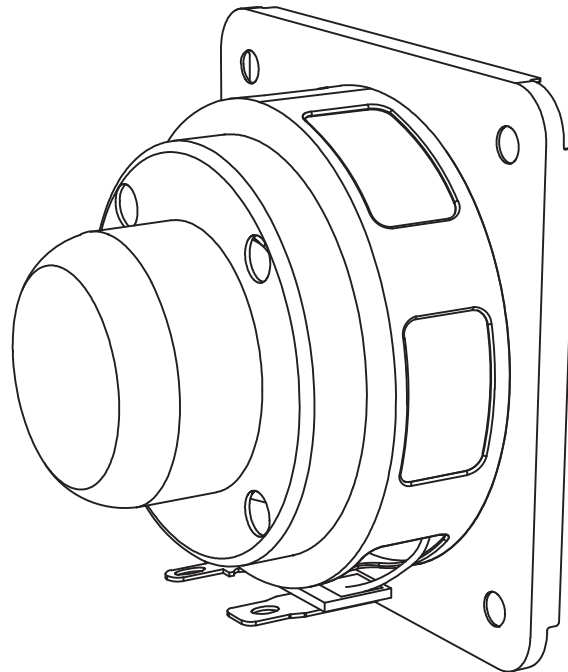
Back View



Installation Hole



Enlarge Version
for Connectors



Note: 3D view and illustration of the speaker terminal are not 1:1 scale.



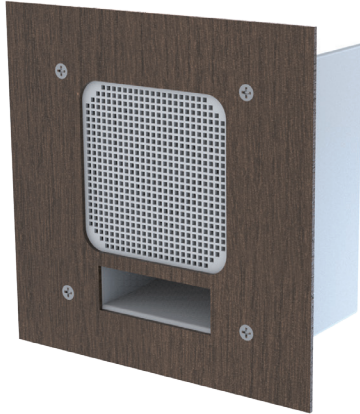
Box Properties

Type: Vented Box
Shape: Prism

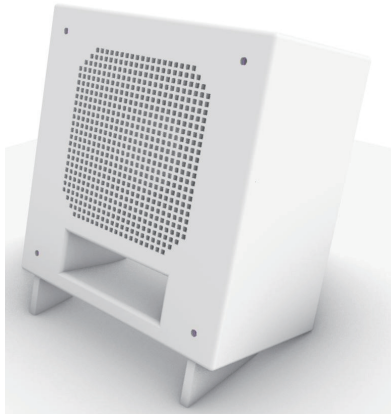
Box Parameters

Vb = 0.59lts
V (total) = 0.64lts
Qtc = 0.883
F3 = 102.45Hz
Fill = Normal

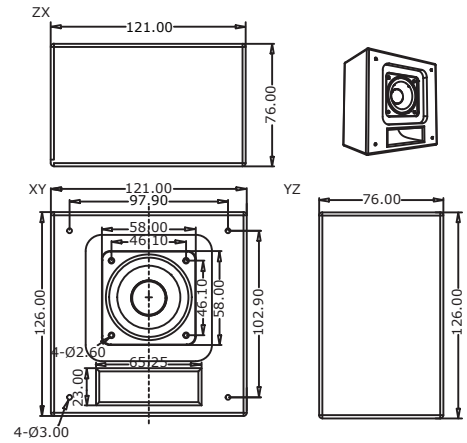
Cabinet Type 1 - Ported



Panel Mount Application



Desktop Application

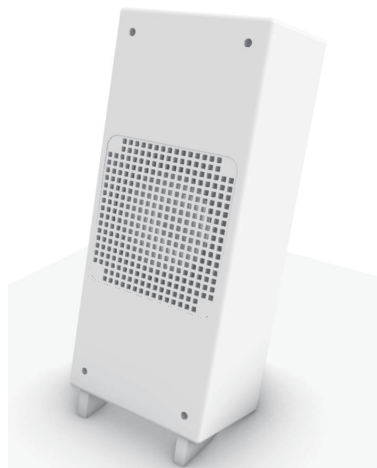


Schematic Drawing

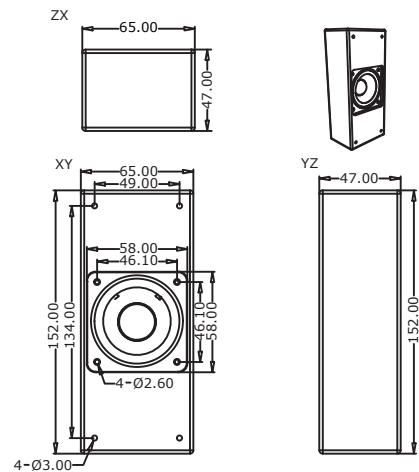
Cabinet Type 2 - Sealed



Panel Mount Application



Desktop Application



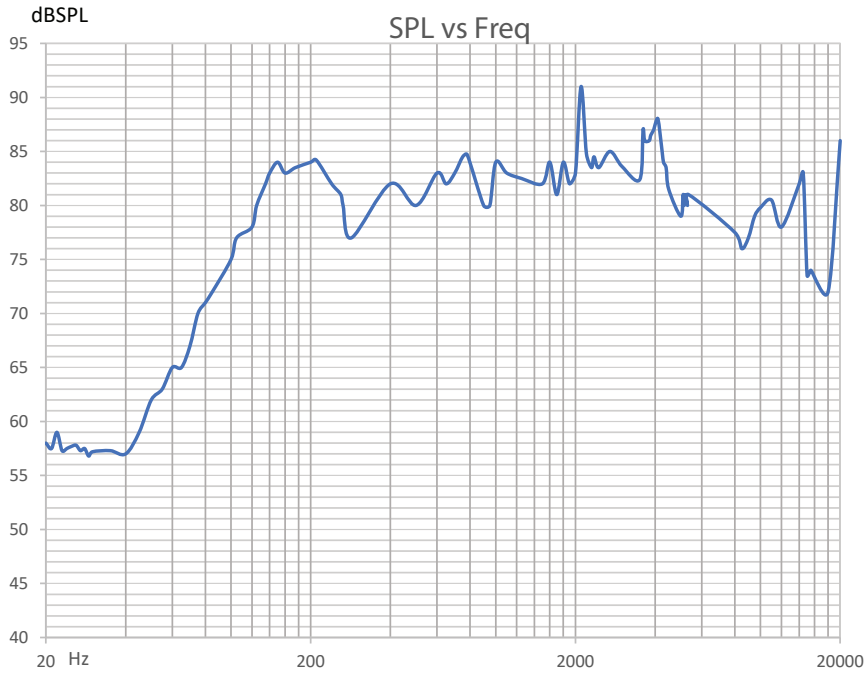
Schematic Drawing

Notes:

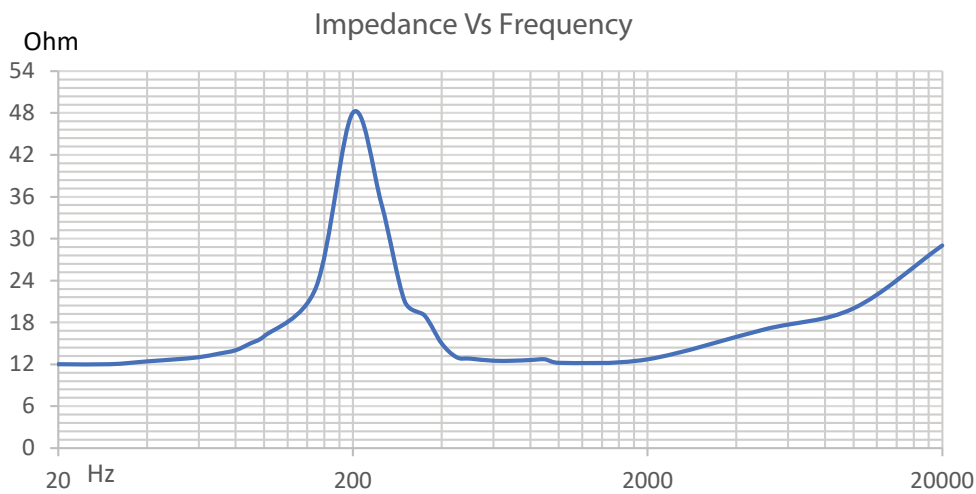
1. This speaker box is designed and optimized for panel mounting, also compatible with desktop used.
2. 3D model is provided for free in our resale website www.sure-electronics.com.
3. Actual volume is different with calculation value, but tested and verified, it is an optimized value after prototypes.
4. This model might work with 2" Full Range units from other brands, but performance is not guaranteed.
5. This speaker box unit is for sale and not a standard accessory, customer can find in our website.



Frequency Response



Impedance Curve



Distributed by:



Sure Electronics Co., Ltd.
 Professional Industrial Audio Solution Provider
 3F, Building F6, No. 9, Weidi Road,
 Xianlin, Qixia Dist., Nanjing, China.
 +86(25)8526-0046 | info@sure-electronics.com

To view our products and purchase,
 please visit our website:
store.sure-electronics.com

Designed by:



58-7-2, Jalan Cantonment,
 Wisma Fortune Heights, 10250, Pulau Pinang, Malaysia.
 +60(4)2189323 | info@wondom.com

To view our products and purchase,
 please visit our website:
www.wondom.com



store.sure-electronics.com



www.wondom.com

RoHS

- MOQ and SPQ is 2pcs per small cardboard box for retail, incremental is one SPQ 2pcs.
- MOQ and SPQ is 72pcs per carton(530x290x230mm) for wholesale, incremental is one SPQ 72pcs.
- The 3D printed speaker cabinet is for sale, MOQ and SPQ is 2pcs per small cardboard box too.

Drafted:

Approved:

Contisigned: